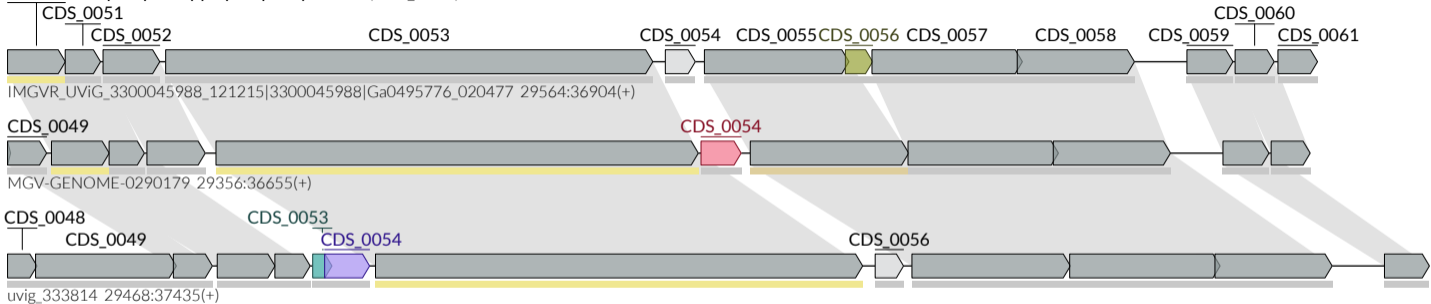


nucleoside triphosphate pyrophosphohydrolase (CDS\_0050)



3000 nt

DNA, RNA and nucleotide metabolism

other

unknown function