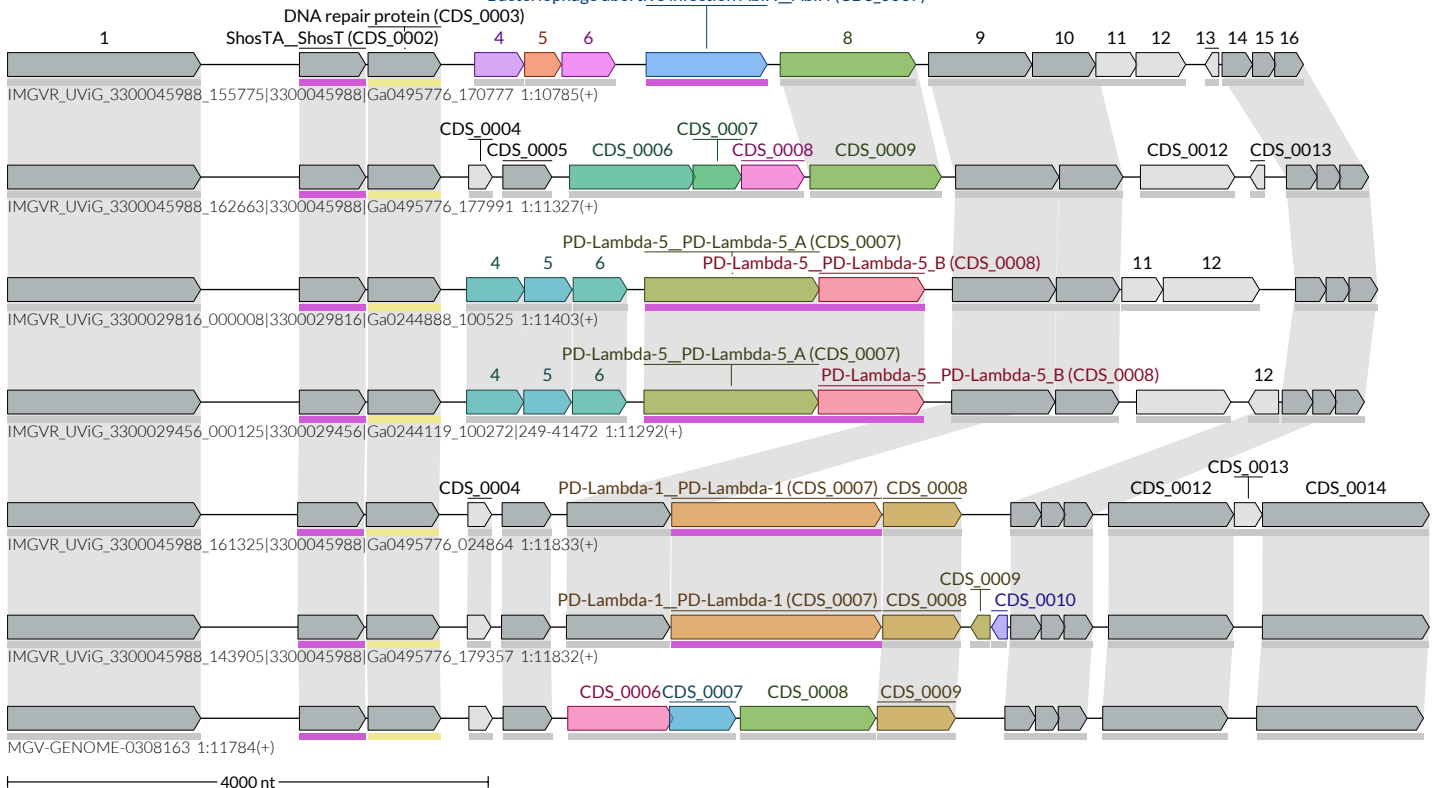


Bacteriophage abortive infection AbiH_AbiH (CDS_0007)



4000 nt

DNA, RNA and nucleotide metabolism unknown function Defence