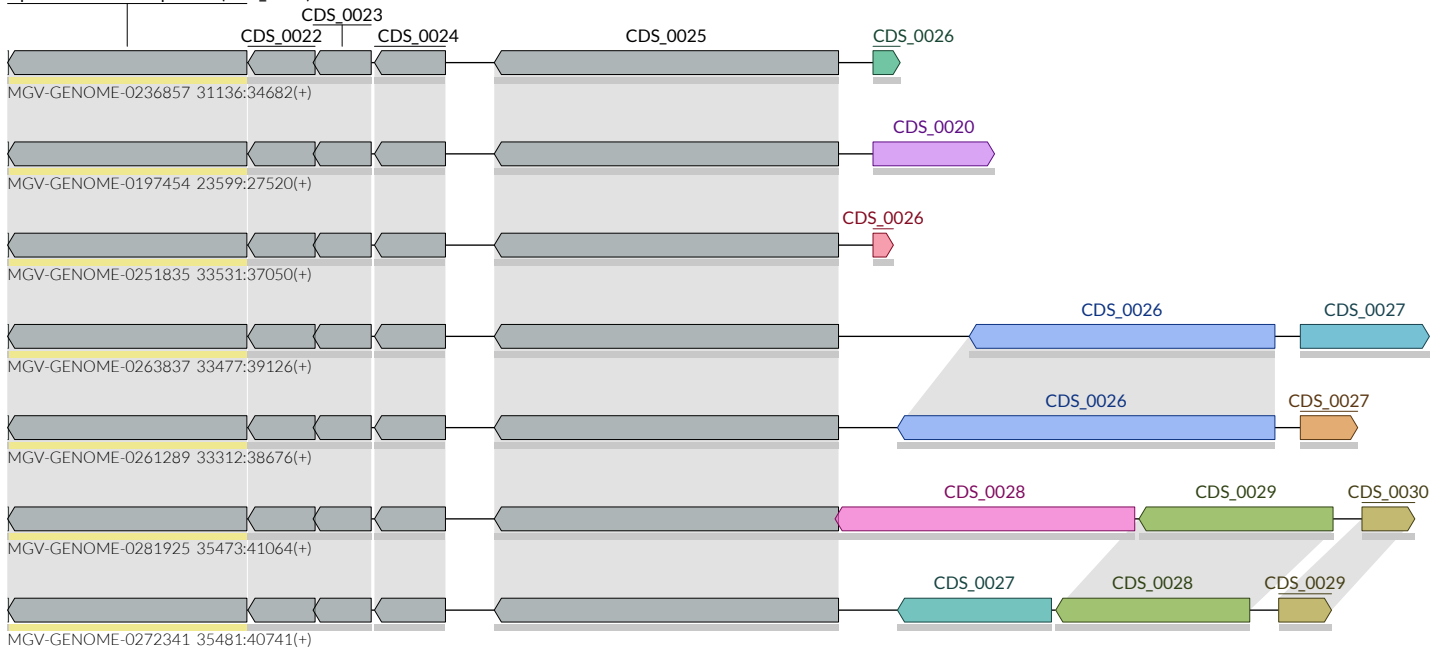


replication initiation protein (CDS_0021)



DNA, RNA and nucleotide metabolism

unknown function