

vancomycin resistance response regulator transcription factor, VanR-F/VanR-M family (NF033120.0) (OPJFDBC1_00020)

Transcriptional regulatory protein TdiR (OPJFDBC1_00019)

N-acetylgalactosamine-6-O-sulfatase (OPJFDBC1_00017)

Adaptive-response sensory-kinase SasA (OPJFDBC1_00021)

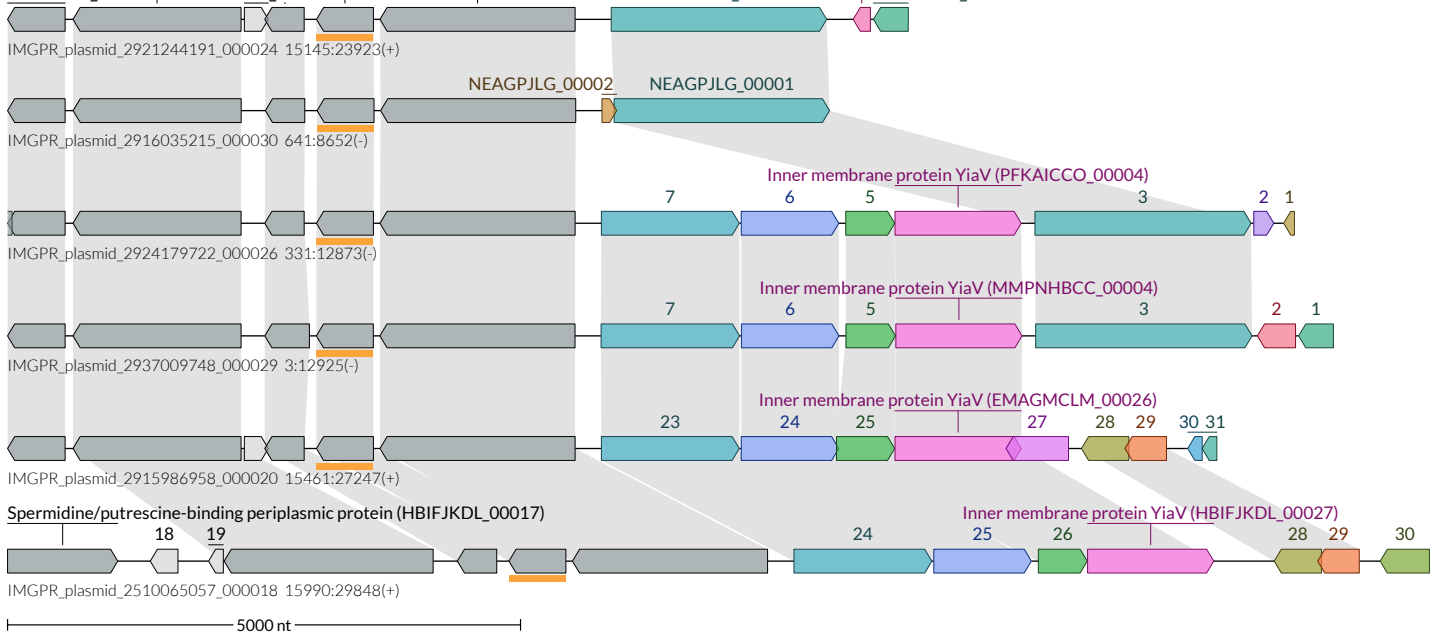
OPJFDBC1_00023

OPJFDBC1_00016

OPJFDBC1_00018

OPJFDBC1_00022

OPJFDBC1_00024



AMR